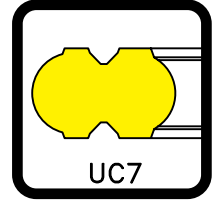
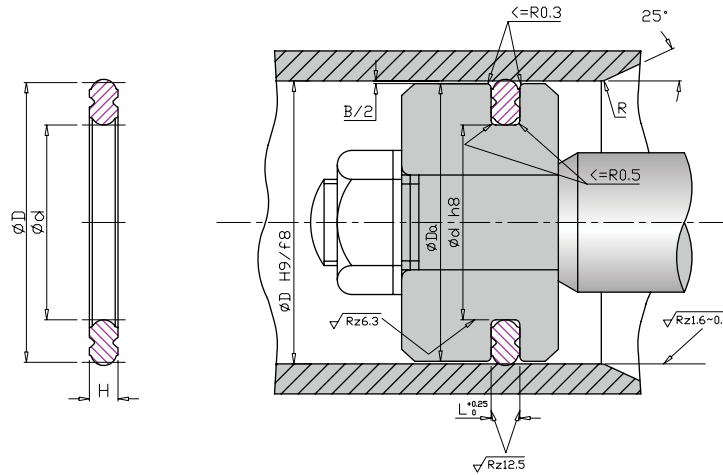


UC7 Series

Low Friction Pneumatic Piston Seal



FKM/FPM 75 PHYSICAL PROPERTIES			
Working Pressure: ≤ 1.0 Mpa			
Working Temperature: $-20^\circ\text{C} \sim +225^\circ\text{C}$			
Surface Speed: ≤ 1.0 m/s			
Hardness	75 Shore A	DIN53505	
Tensile Strength	15.3 Mpa	DIN53504	
	2214 psi	ASTM D-412	
Elongation	241 %	DIN53504	
Compression Set	9 %	DIN53517	
22hrs @ 200°C	9 %	ASTM D-395	
Standard Compound	V7514AA		
Color	Black ●		

NBR 75 PHYSICAL PROPERTIES			
Working Pressure: ≤ 1.0 Mpa			
Working Temperature: $-25^\circ\text{C} \sim +100^\circ\text{C}$			
Surface Speed: ≤ 1.0 m/s			
Hardness	75 Shore A	DIN53505	
Tensile Strength	22.8 Mpa	DIN53504	
	3306 psi	ASTM D-412	
Elongation	320 %	DIN53504	
Compression Set	10.9 %	DIN53517	
24hrs @ 100°C	10.9 %	ASTM D-395	
Standard Compound	N7539AA		
Color	Black ●		

CODE	D (mm)	d (mm)	H (mm)	L	Da
UC70001	10	5.4	1.60	1.8	9.7
UC70002	12	7.4	1.60	1.8	11.7
UC70003	15	10.4	1.60	1.8	14.7
UC70004	16	11.4	1.60	1.8	15.7
UC70005	20	14.0	2.24	2.4	19.5
UC70006	25	17.0	3.00	3.2	24.5
UC70007	30	22.0	3.00	3.2	29.5
UC70008	32	24.0	3.00	3.2	31.5
UC70009	38	30.0	3.00	3.2	37.5
UC70010	40	32.0	3.00	3.2	39.5
UC70011	44	36.0	3.00	3.2	43.5
UC70012	50	40.0	3.80	4.0	49.5
UC70013	56	46.0	3.80	4.0	55.5
UC70014	60	50.0	3.80	4.0	59.5
UC70015	63	53.0	3.80	4.0	62.4
UC70016	70	55.0	5.60	6.0	69.4
UC70017	75	60.0	5.60	6.0	74.4
UC70018	80	65.0	5.60	6.0	79.4
UC70019	85	70.0	5.60	6.0	84.4
UC70020	90	75.0	5.60	6.0	89.4

CODE	D (mm)	d (mm)	H (mm)	L	Da
UC70021	95	80.0	5.60	6.0	94.4
UC70022	100	85.0	5.60	6.0	99.4
UC70023	110	95.0	5.60	6.0	109.3
UC70024	120	105.0	5.60	6.0	119.3
UC70025	125	110.0	5.60	6.0	124.3
UC70026	140	125.0	5.60	6.0	139.3
UC70027	150	135.0	5.60	6.0	149.3
UC70028	160	140.0	7.60	8.0	159.3
UC70029	175	155.0	7.60	8.0	174.4
UC70030	180	160.0	7.60	8.0	179.3
UC70031	200	180.0	7.60	8.0	199.0
UC70032	250	230.0	7.60	8.0	249.0
UC70033	300	280.0	7.60	8.0	299.0